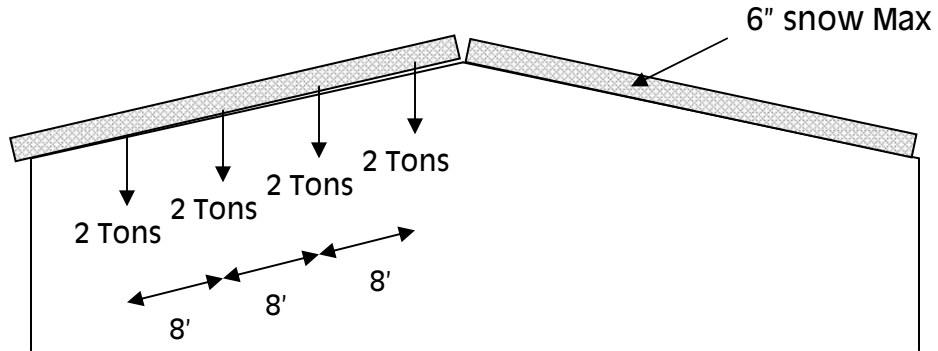
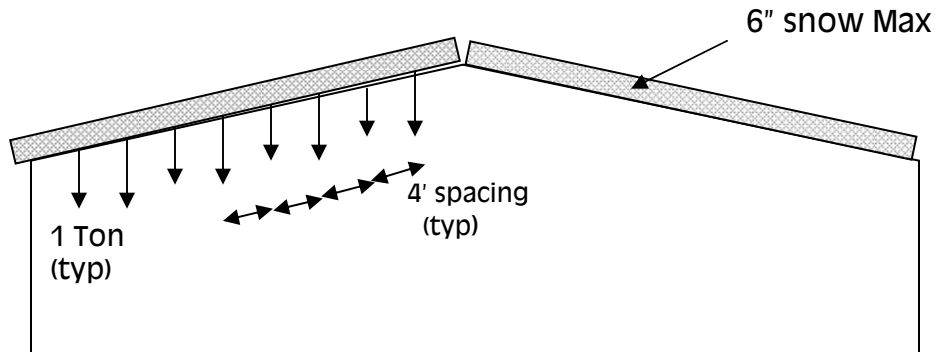


Expo Hall Load Charts

Case A – Dead Hang Capacity for up 6" of snow on roof

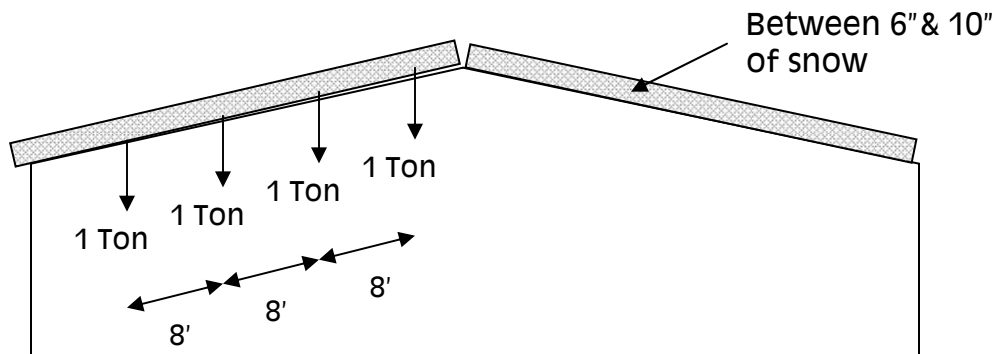


2 Tons at 8' Minimum spacing, one side of structure only



1 Ton at 4' Minimum spacing, one side of structure only

Case B – Dead Hang Capacity for 6" to 10" of snow on roof

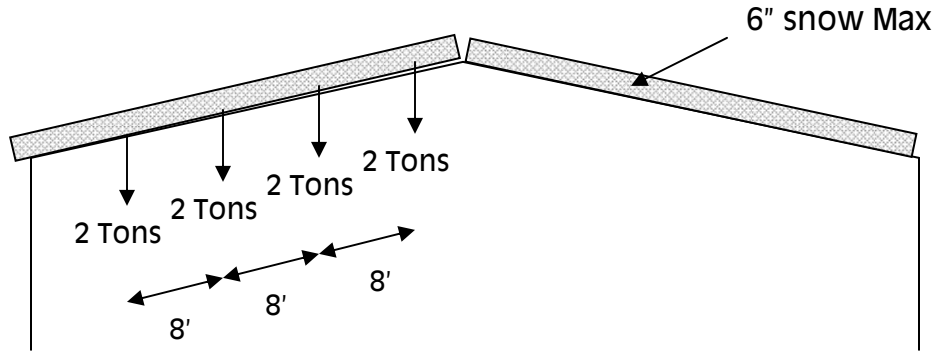


1 Ton at 8' Minimum spacing, one side of structure only

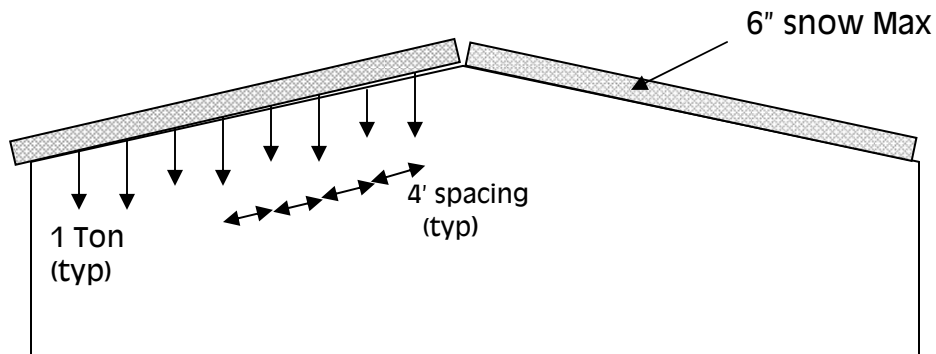
If greater than 10" of snow on roof, then no rigging loads are allowed

Arena Load Charts

Case A – Dead Hang Capacity for up 6" of snow on roof

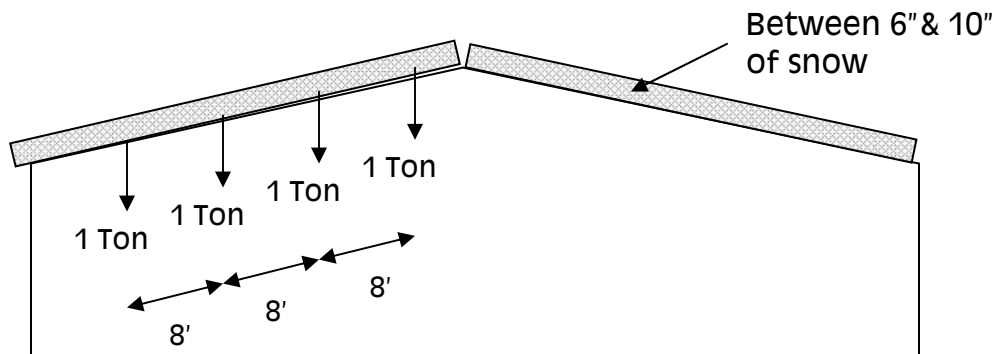


2 Tons at 8' Minimum spacing, one side of structure only



1 Ton at 4' Minimum spacing, one side of structure only

Case B – Dead Hang Capacity for 6" to 10" of snow on roof



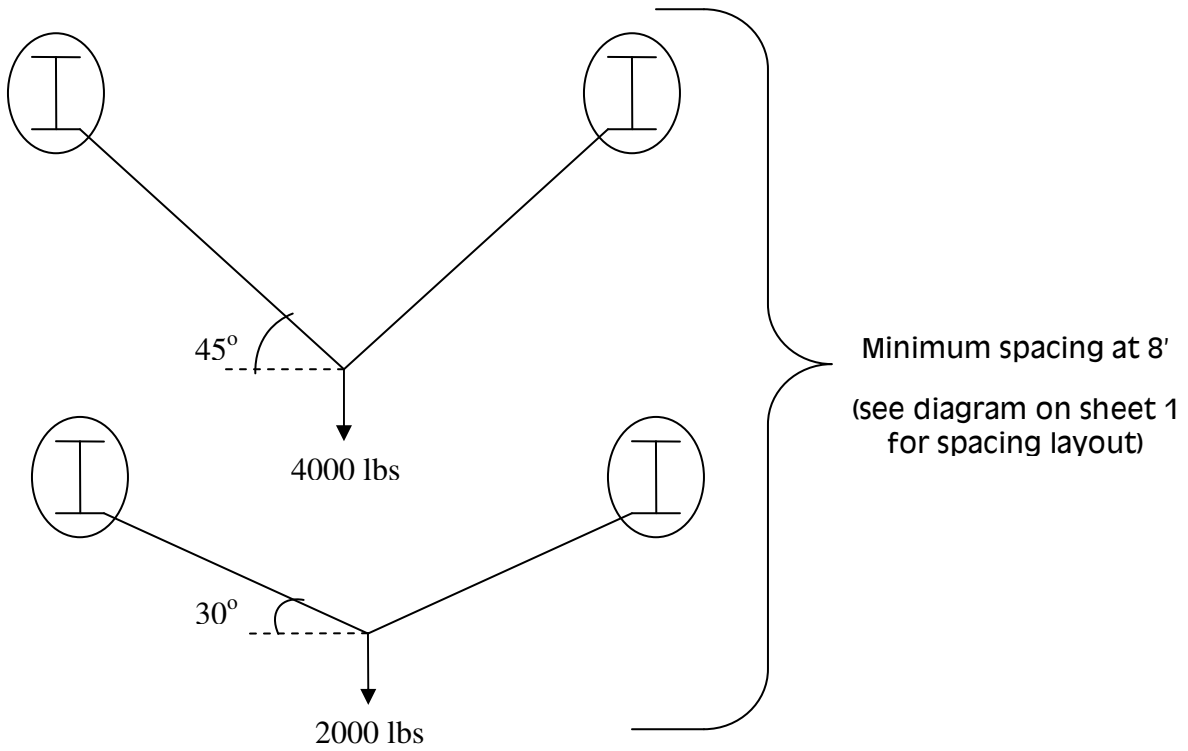
1 Ton at 8' Minimum spacing, one side of structure only

If greater than 10" of snow on roof, then additional loads would overstress the structure

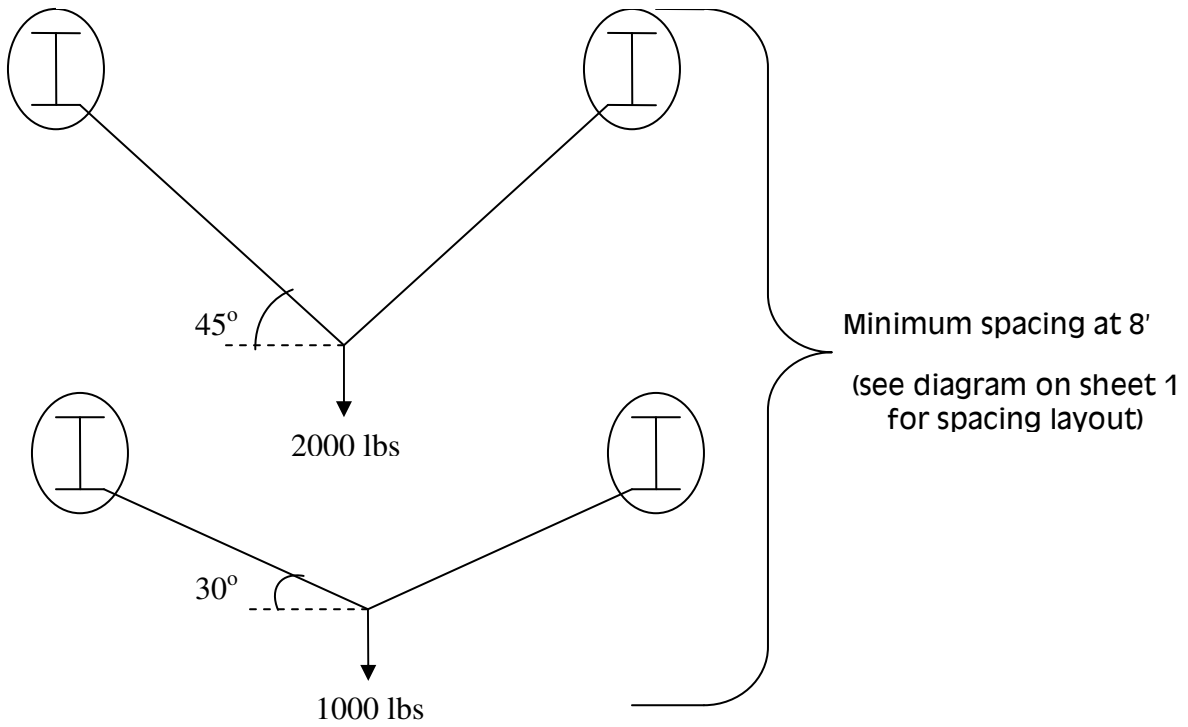
See following page for Arena Load Bridling Capacities:

Arena Load Charts

Arena Bridling capacities for up 6" of snow on roof



Arena Bridling Capacity for 6" to 10" of Snow On Roof



If more than 10" of snow or more on the Arena roof, then additional loads on the framing could overstress the structure.